



REFERENCE  
SERIES

DLS Svenska AB - Sweden

## DLS R5A

### PRODUCT SPECIFICATIONS

2-WAY CAR SYSTEM MODEL R5A  
5 1/4" BASS MIDRANGE  
UNPRESSED PAPER CONE  
25 MM SOFT DOME TWEETER



#### 5 1/4", 13 cm mid bass element:

Specifications valid from 2008-03.

##### Dimensions:

|                 |                |
|-----------------|----------------|
| Outer diameter  | 130 mm / 5,12" |
| Magnet diameter | 90 mm / 3,54"  |
| Mounting depth  | 60 mm / 2,36"  |
| Mounting hole   | 120 mm / 4,72" |

Nominal power handling

80 W

Maximum power

120 W

Nominal impedance, Z

4 ohms

Sensitivity, 1 W / 1m

86,4 dB

Frequency response

55-5000 Hz

Fs, resonant frequency

72,3 Hz

Voice coil diameter

36 mm / 1,42"

Voice coil height

13 mm / 0,5"

Voice coil type / former

Kapton

Voice coil wire

Copper

Number of layers

2

DC resistance

2,88 ohm

Voice coil inductance, 1 kHz

0,32 mH

Magnet system

Ferrite

BL product, BXL

3,15

Suspension compliance, CMS

579

Mechanical Q factor, QMS

6,88

Electrical Q factor, QES

1,11

Total Q factor, QTS

0,95

Mechanical resistance, RMS

0,53

Moving mass, MMS

8,35 gr.

Equivalent Cas Air load, VAS

6,09 liters/0,22 ft<sup>3</sup>

Cone / Dome material

Unpressed paper

Cone suspension

Rubber

SD - Effective piston area

86,5 cm<sup>2</sup>

#### 25 mm (1") tweeter element T25:

##### Dimensions:

|               |               |
|---------------|---------------|
| Overall size* | 43 mm / 1,69" |
|---------------|---------------|

For recessed mounting:

|                |               |
|----------------|---------------|
| Mounting depth | 18 mm / 0,71" |
| Mounting hole  | 46 mm / 1,81" |

Nominal power handling

50 W

Maximum power

80 W

Nominal impedance, Z

4 ohms

Sensitivity, 1 W / 1m

93 dB

Frequency response

1,5 - 20 kHz

Fs, resonant frequency

1500 Hz

Voice coil diameter

20 mm / 0,79"

Voice coil height

2 mm / 0,079"

Voice coil wire

Copper

Magnet system

Neodymium

Magnet size

28 mm / 1,1"

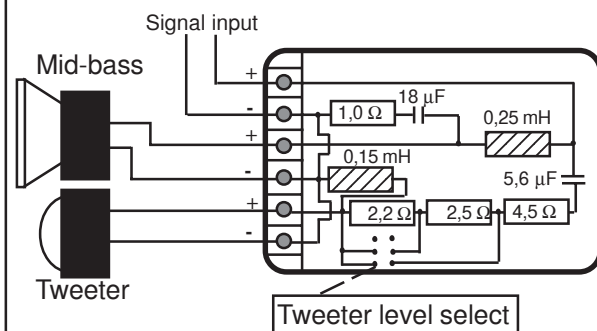
Dome material

Silk

\* size with mounting cup for recessed mounting

#### Filter box drawing:

Art.no: 9-49026C



Crossover frequency ~ 4500 Hz